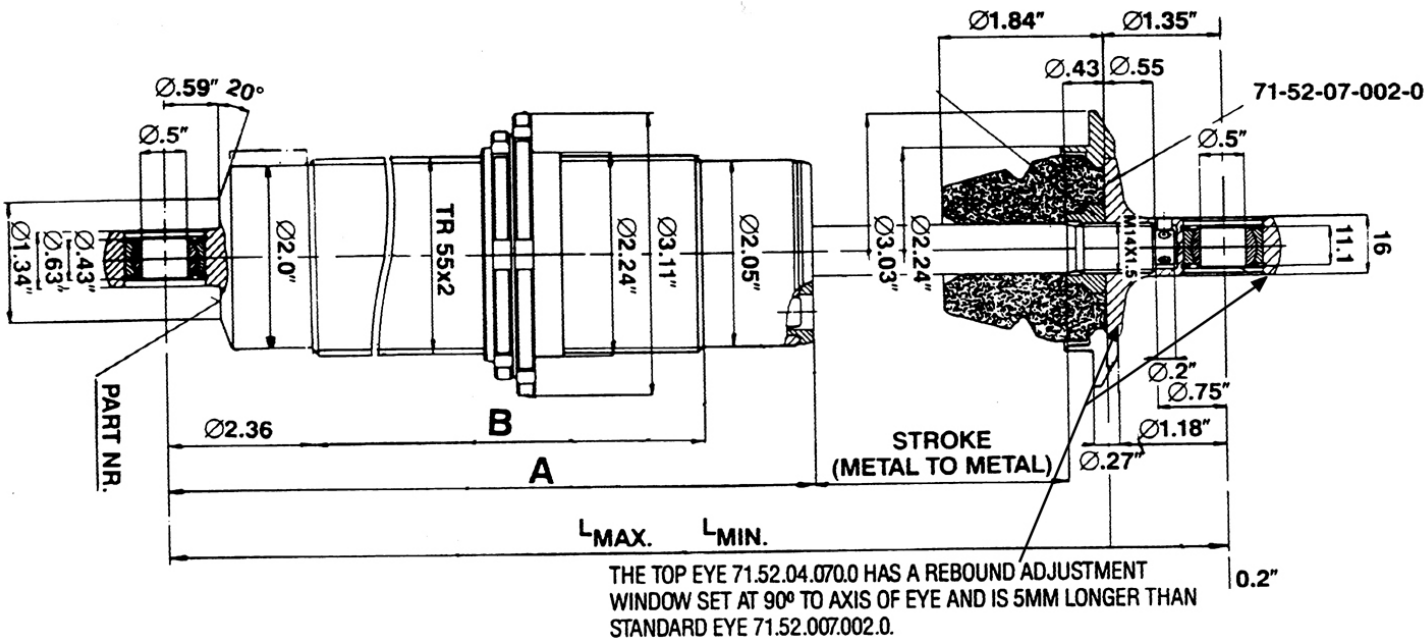


KONI 3012 Dimensions



Part Number	Metric					Standard				
	Stroke	Max L	Min L	A	B	Stroke	Max L	Min L	A	B
3012-1600		264mm	209mm				10.39"	8.23"		
-1601	55mm	269mm	214mm	165mm	75mm	2.16"	10.59"	8.43"	6.50"	2.95"
3012-1602		274mm	214mm				10.79"	8.43"		
-1603	60mm	279mm	219mm	170mm	75mm	2.36"	10.98"	8.62"	6.69"	2.95"
3012-1604		284mm	219mm				11.18"	8.62"		
-1605	65mm	289mm	224mm	175mm	75mm	2.56"	11.38"	8.82"	6.89"	2.95"
3012-1606		294mm	224mm				11.57"	8.82"		
-1607	70mm	299mm	229mm	180mm	75mm	2.75"	11.77"	9.02"	7.10"	2.95"
3012-1608		304mm	229mm				11.97"	9.02"		
-1609	75mm	309mm	234mm	185mm	75mm	2.95"	12.17"	9.22"	7.28"	2.95"
3012-1610		314mm	229mm				12.36"	9.21"		
-1611	80mm	319mm	234mm	190mm	75mm	3.15"	12.56"	9.41"	7.48"	2.95"
3012-1612		324mm	239mm				12.76"	9.41"		
-1613	85mm	329mm	244mm	195mm	100mm	3.35"	12.96"	9.61"	7.68"	3.94"
3012-1614		334mm	244mm				13.15"	9.61"		
-1615	90mm	339mm	249mm	200mm	100mm	3.54"	13.34"	9.80"	7.87"	3.94"
3012-1616		344mm	249mm				13.54"	9.80"		
-1617	95mm	349mm	254mm	205mm	100mm	3.74"	13.74"	10.00"	8.07"	3.94"
3012-1620		364mm	259mm				14.33"	10.00"		
-1621	105mm	369mm	264mm	215mm	100mm	4.13"	14.52"	10.39"	8.46"	3.94"
3012-1622		374mm	264mm				14.72"	10.39"		
-1623	110mm	379mm	269mm	220mm	100mm	4.33"	14.92"	10.59"	8.66"	3.94"
3012-1624		384mm	269mm				15.12"	10.59"		
-1625	115mm	389mm	274mm	225mm	100mm	4.53"	15.32"	10.79"	8.86"	3.94"
3012-1626		394mm	274mm				15.51"	10.79"		
-1627	120mm	399mm	279mm	230mm	100mm	4.72"	15.70"	10.98"	9.10"	3.94"
3012-1628		404mm	279mm				15.92"	10.98"		
-1629	125mm	409mm	284mm	235mm	100mm	4.92"	16.10"	11.18"	9.25"	3.94"
3012-1630		414mm	284mm				16.30"	11.18"		
-1631	130mm	419mm	289mm	240mm	100mm	5.12"	16.50"	11.38"	9.45"	3.94"
3012-1636		444mm	299mm				17.48"	11.77"		
-1637	145mm	449mm	304mm	255mm	100mm	5.71"	17.68"	11.97"	10.04"	3.94"
3012-1646		494mm	334mm				19.45"	13.15"		
-1647	160mm	499mm	339mm	286mm	100mm	6.30"	19.65"	13.45"	11.26"	3.94"

Attachments are 1/2" ID bearing on both ends. The 3012 Series can be run inverted to reduce un-sprung weight. See chart below for standard lengths. The 3012 series dampers are available with adjusters on or off the axis of the eye. Even part numbers are supplied on axis, while the odd number are supplied with the adjuster window 90° off the axis of the eye. The off axis eye adds 5mm or 0.2" to the extended and compressed lengths.

The 3012-1600 Series dampers are available with a variety of valvings to meet your specific damping requirements. Due to the unique valving and damping characteristics available, we recommend that you discuss your needs with our technical staff prior to ordering. Listed below is a sample of valving codes, and the range of spring rates that are recommended.

Valving Code	Spring Rates
B16	up to 250 lbs./in.
B23	250-1500 lbs./in.
B53	500-2000 lbs./in.
B83	650-3500 lbs./in.